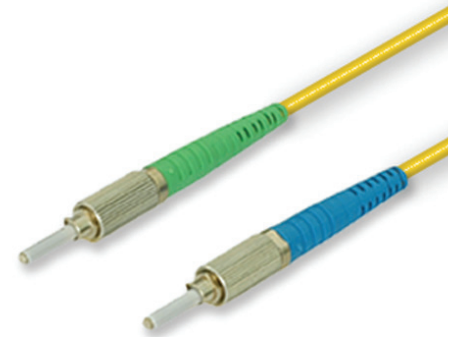


# DIAMOND

## Fiber Optic Components

### LSA (DIN)

SINGLE MODE PC/APC  
MULTIMODE PC



### CABLE ASSEMBLIES AND ADAPTERS

#### SPECIFICATIONS

	MULTIMODE 0° PC	SINGLE MODE 0° PC	SINGLE MODE 8° APC	UNITS	TEST CONDITIONS
Insertion Loss (IL)	typ. 0.15 max. 0.4	typ. 0.2 max. 0.4	typ 0.2 max. 0.4	dB	IEC 61300-3-4; $\lambda = 1300/1550\text{nm}$
Return Loss (RL)	min. 40	typ. 50	min. 70*	dB	IEC 61300-3-6; $\lambda = 1300/1550\text{nm}$
Repeatability of IL	max. $\pm 0.1$			dB	IEC 61300-2-2; $\lambda = 1300/1550\text{nm}$
Service life	1000 mate/demate cycles				According to field experience
Operating temperature	-40/+85**			°C	
Storage temperature	-40/+90**			°C	

\* Measured with high precision reflectometer HP 8504A

\*\* May be further limited by cable specifications

#### APPLICATIONS

- ▶ Telecommunications, CATV, LAN, MAN, WAN, Test & Measurement, Industry, Medical, Sensors

#### STANDARDS

- ▶ IEC 61 754-3 "Fiber optic connector interface-Type LSA connector family"
- ▶ CECC 86 135-801 (Type LSA)
- ▶ CECC 86 135-802 (Type LSA-HRL)

#### DESIGN/MATERIALS

- ▶ Ferrule:  $\varnothing 2.5$  mm, spring loaded (15 N), anti-rotation keyed
- ▶ Adaptor: Floating zirconia resilient sleeve with copper-nickel alloy housing
- ▶ Cable retention: Decoupled from ferrule on cables with  $\varnothing \leq 3.5$  mm

#### AVAILABLE AS

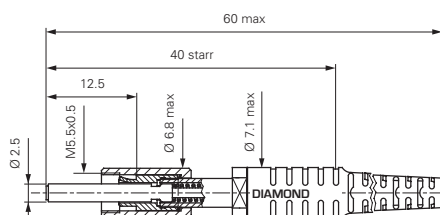
- ▶ Terminated connector
- ▶ Connector set, (to be terminated with Diamond special equipment)

#### CONNECTOR TYPES AND DIMENSIONS

LSA (DIN) connectors 900  $\mu\text{m}$  - 3 mm boot style

Available types: **LSA (DIN) PC**  
**LSA (DIN) APC**

Ferrule material: Zirconia/metal insert  
External parts: Ni-plated brass



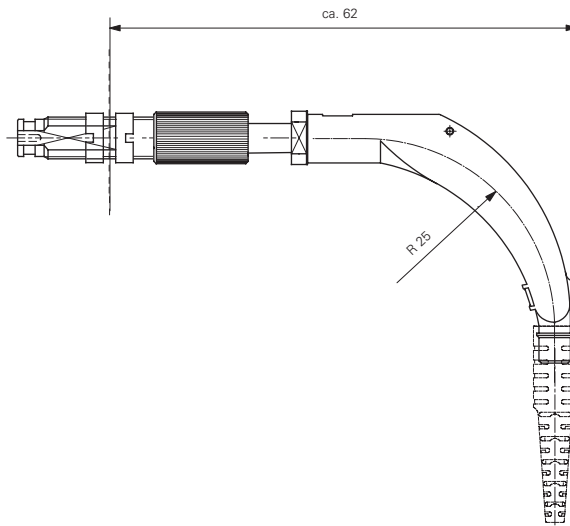
DIAMOND SA | Via dei Patrizi 5 | CH-6616 Losone - Switzerland  
Tel. +41 58 307 45 45 | e-mail info@diamond-fo.com

[www.diamond-fo.com](http://www.diamond-fo.com)

Specifications subject to change  
without notice

BDD 1950073 09\_18

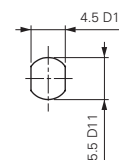
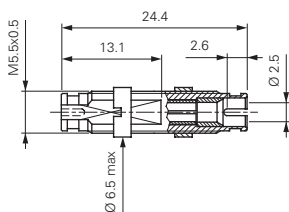
LSA (DIN) connectors 900 μm - 3 mm 90° boot style



ADAPTER TYPE AND DIMENSIONS

LSA (DIN) mating adapter

CUTOUT DIMENSIONS



**NOTE** Diamond's standard **boot** colors are as follows: Black for MM PC 50μm, Beige for MM PC 62.5μm, Blue for SM PC, and Green for SM APC. Other colors are available upon request.

ORDER INFORMATION

Please refer to the part numbers provided in the separate P/N list. For other configurations, please contact your nearest local Diamond representative or fill in the contact form available on the [www.diamond-fo.com](http://www.diamond-fo.com) website.