

# DIAMOND *flexos*

## Fiber Optic Passive Components

### DIN-Rail E-2000® Adapter

#### CABLE TERMINATION BOX DIN-MOUNTING

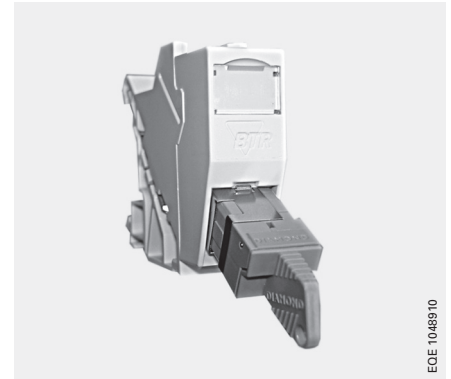
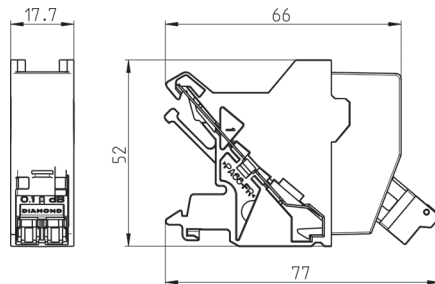
The DIN-Rail Adapter permits a simple and safe installation of an E-2000® duplex mating adapter directly onto a 35 mm DIN-Rail in various wall boxes and cabinets. This concept allows for an easy and fast module expansion at any time. The unit consists of a basic plastic housing, with an integrated E-2000® duplex mating adapter for connecting/distribution of two fibres optic lines.

#### FEATURES AND BENEFITS

- ▶ DIN-Rail quick mountable TH35 (according to DIN EN60715)
- ▶ E-2000® Compact RJ Duplex mating adapter
- ▶ Adapter-width 1HP ( > 18mm, DIN 43880)
- ▶ Highly viewable label field
- ▶ Mating adapter angled at 45°

#### SPECIFICATIONS

- ▶ Material: Plastic housing, metal potential balance spring
- ▶ Color: Body grey RAL 7035
- ▶ Weight: 27g (assembled)
- ▶ Dimensions: in mm



#### ORDER INFORMATION

PRODUCT NAME	DESCRIPTION	ORDER NUMBER
DIN-Rail E-2000® Adapter	Adapter for DIN-Rail mounting, Grey color (RAL 7035), assembled with E-2000® Compact RJ mating adapters:	
	E-2000® Compact RJ, MM 50 µm	EQE 1052629
	E-2000® Compact RJ, MM 50 µm OM3	EQE 1063743
	E-2000® Compact RJ, MM 62.5 µm	EQE 1063747
	E-2000® Compact RJ, SM 9 µm 0°	EQE 1048909
	E-2000® Compact RJ, SM 9 µm 8°	EQE 1048910

Standard Color Coding:	Connector/mating adapter:	Thumb-latch/color coded clip:
MM50	beige	beige
MM50 OM3	beige	turquoise
MM62.5	beige	beige
SM9 0°	blue	blue
SM9 8°	green	green



DIAMOND SA | Via dei Patrizi 5 | CH-6616 Losone - Switzerland  
Tel. +41 58 307 45 45 | e-mail info@diamond-fo.com

[www.diamond-fo.com](http://www.diamond-fo.com)

Specifications subject to change without notice

BDD 1950991\_08\_20