

DIAMOND

Fiber Optic Components

CABLE ASSEMBLIES AND ADAPTERS

Diamond has developed the new **DM4 (Multipurpose Termini)** that is the core of our HE-2000®, MIL-38999 DM4 size 13 and MIL-83526 DM4 fiber optic connectors.

The hybrid (FO – electrical) four channels DM4 insert is based on standard 2.5mm factory-terminated and measured fiber optic Crocodile Alberino HE (Harsh Environment) and allows customers to assemble precision-engineered termini to delivering low data loss and reliable, repeatable performance over long distances in many applications.

Further to the optical termini, Diamond also developed the electrical termini with the same dimension.

CHARACTERISTICS OF DM4

- ▶ Based on standard 2.5-mm Alberinos with integrated springs to prevent termini separation
- ▶ Lensed Ferrule 1.7mm Alberinos
- ▶ Up to 4 channels
- ▶ Hybrid, FO - Electrical
- ▶ Genderless mating and self-aligning design
- ▶ Easy front-face ferrule access for cleaning & inspection

Particularly designed for optical applications, accepting electrical contacts

- ▶ Precise and repeatable pre-alignment, thanks to the well dimensioned hollow pins
- ▶ Interacting, space saving pre-alignment hollow pins
- ▶ Resilient alignment sleeve protected in the hollow pre-alignment pins
- ▶ Alignment sleeves singularly removable for easy cleaning
- ▶ Full protection of the optical elements from all external influences such as rotational, bending and/or lateral stress
- ▶ Possibility of mechanical keying

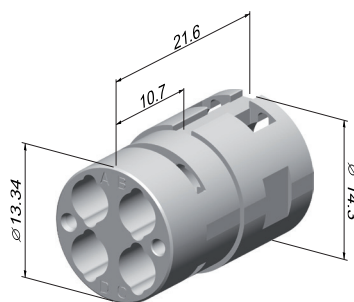
FEATURES OF DM TERMINI

- ▶ Compatible with several fibre types such as HCS, MM, SM, PM, XB Lensed Ferrule, Small core fibre and PS technology
- ▶ Available in PC and APC version
- ▶ Lensed Ferrule SM (9µm)
- ▶ Steady and repeatable low IL and High return loss (when APC polished)
- ▶ High and steady ER when terminated with PM fibre
- ▶ Compatible with tight cable construction, semi loose cable/fibre construction
- ▶ Electrical pins 20 AWG

DM4



DM4 OEM Insert



DM4 Adapter



DM Termini (Optical – electrical termini)

FIBER OPTIC CONNECTORS TERMINABLE WITH THE DM4 (MULTIPURPOSE TERMINI)

HE-2000®



MIL-38999 DM4 size 13



MIL-83526 DM

ORDER INFORMATION

Please contact your nearest local Diamond representative or fill in the contact form available on the www.diamond-fo.com website.
