

DIAMOND Fiber Optic Components

CABLE ASSEMBLIES AND ADAPTERS

SPECIFICATIONS

	MULTIMODE 0° PC	SINGLE MODE 0° PC	SINGLE MODE 8° APC	UNITS	TEST CONDITIONS
Insertion Loss (IL)	typ. 0.15 max. 0.4	typ. 0.2 max. 0.4	typ. 0.2 max. 0.4	dB	IEC 61300-3-4; $\lambda = 1300/1550\text{nm}$
Return Loss (RL)	min. 35 typ. 40	min. 45 typ. 50	min. 70*	dB	IEC 61300-3-6; $\lambda = 1300/1550\text{nm}$
Repeatability of IL	max ± 0.1			dB	IEC 61300-2-2; $\lambda = 1300/1550\text{nm}$
Service life	1000 mate/demate cycle			-	According to field experience
Operating temperature	-40/+85**			°C	
Storage temperature	-40/+90**			°C	

* Measured with high precision reflectometer

** May be further limited by cable specifications

APPLICATIONS

- ▶ Telecommunications, CATV, LAN, MAN, WAN, Test & Measurement, Industry, Medical

STANDARDS

- ▶ CECC 86 115-801 "Detail specification-connector set of assessed quality for optical fibers and cables - Style FC"

DESIGN/MATERIALS

- ▶ Ferrule: $\varnothing 2.5$ mm, spring loaded (15 N), antirotation keyed
- ▶ Adaptor: Floating zirconia sleeve in Ni-plated brass housing

AVAILABLE AS

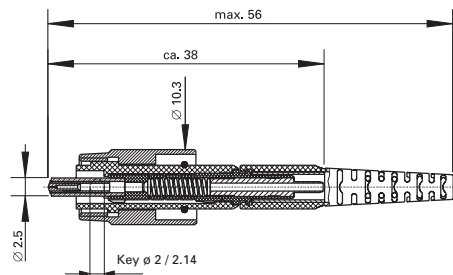
- ▶ Terminated connector
- ▶ Connector set, (to be terminated with Diamond special equipment)

CONNECTOR TYPES AND DIMENSIONS

FC Alberino connectors 900 μm - 3 mm boot style

Available types: **FC Alberino PC (Key $\varnothing 2.14$ mm)**
FC Alberino APC (Key $\varnothing 2$ mm)
FC Alberino APC (Key $\varnothing 2.14$ mm)

Ferrule material: Zirconia/metal insert
 External parts: Ni-plated brass/plastic



FC Alberino

SINGLE MODE PC/APC
 MULTIMODE PC



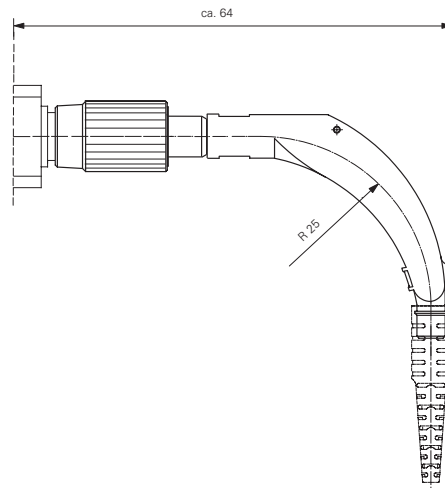
DIAMOND SA • Via dei Patrizi 5 • CH-6616 Losone • Switzerland
 Tel. +41 91 785 45 45 • Fax +41 91 785 45 00 • e-mail info@diamond-fo.com

www.diamond-fo.com

Specifications subject to change
 without notice

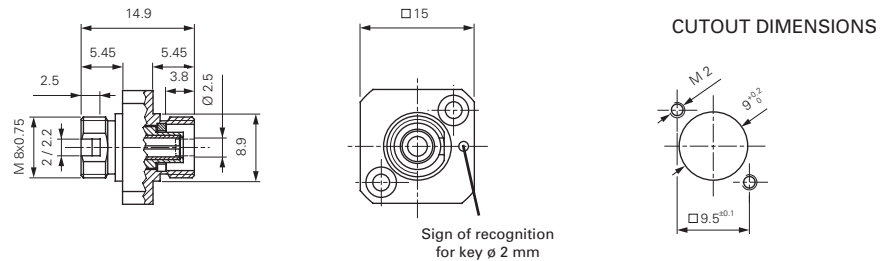
BDD 1950138 05_14

FC Alberino connectors 900 µm - 3 mm 90° boot style

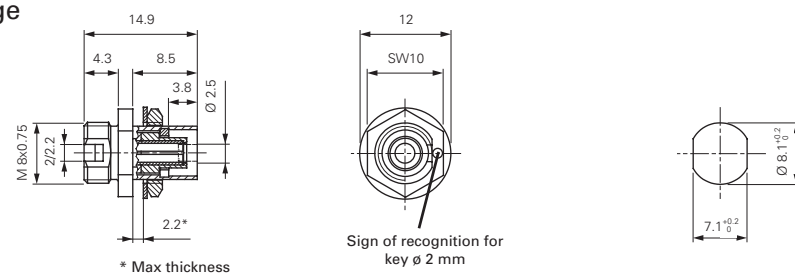


ADAPTER TYPES AND DIMENSIONS

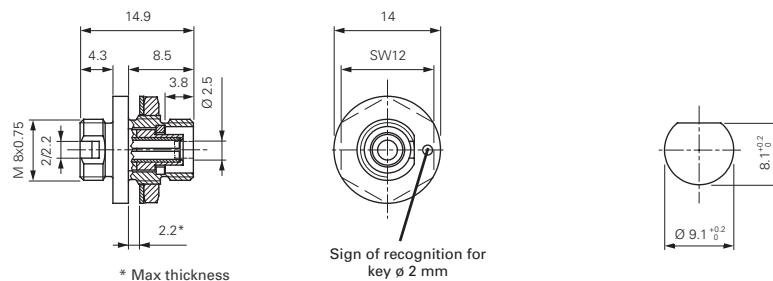
FC Mating adapter square flange



FC Mating adapter hexagonal flange



FC Mating adapter round flange



NOTE Diamond's standard **boot** colors are as follows: Black for MM PC 50µm, Beige for MM PC 62.5µm, Blue for SM PC, and Green for SM APC. Other colors are available upon request.

ORDER INFORMATION

Please refer to the part numbers provided in the separate P/N list.

For other configurations, please contact your nearest local Diamond representative or fill in the contact form available on the www.diamond-fo.com website.

Other versions available upon request