

DIAMOND *flexos*

Fiber Optic Passive Components

OUTLETS

The DIAOTO outlet doesn't just look good: what's inside is also impressive. Two or four optical fibres can be spliced on site using high-quality splice-on connectors or you can opt for pre-assembled connectors. Both set-ups can be connected immediately once the cable has been pulled in. The UV-resistant housing can be fitted to inlet boxes, walls and multimedia boxes. The housing complies with all RoHS and REACH requirements.

STANDARDS for optical core and connectors

- IEC 61 754-28 Fibre optic interconnecting devices and passive components – Fibre optic connector interfaces Part 28: Type LF3 connector family
- EN 50377-16-1 Connector sets and interconnect components to be used in optical fibre communication systems – Part 16-1: Type LF3 APC simplex terminated on IEC 60793-2-50 Category B1.1 and B1.3 singlemode fibre with titanium composite ferrule
- IEC 61754-32 Fibre optic interconnecting devices and passive components – Fibre optic connector interfaces Part 32: Type DiaLink connector family

FEATURES

Installation type:	On-wall
Colour:	White
Number of ports:	2 or 4 optical ports
External interface:	F-3000® SM APC with captive dust cover and internal laser-beam protective cap (LC-compatible)
Internal interface:	F-3000® SM APC or DiaLink SM APC
Fibre compatibility:	G657.A2/B2/B3
Fibre & connector assembly:	Fusion Crocodile® splice-on connector (SOC) Pre-assembled fibre optic cable with DiaLink connector Pre-assembled fibre optic cable on DiaOTO outlet
Labelling field:	Pull-out labelling strip
Housing material:	Plastic
Method of attachment:	Installation and adapter plates screw on No tools required to fit front cover
Modular:	Up to 4 optical ports
Set-up:	Front cover, installation plate, keys, optional adapter plate, 2 or 4 optical cores, fitting material
RoHS and REACH-compliant:	Yes
Manufacturer:	Diamond SA
Made in:	Switzerland

FTTH AP Outlet

DiaOTO 2 or 4 optical channels



DiaOTO on concrete wall



Side view



Installation plate with fibre optic cable and Fusion Crocodile® connectors

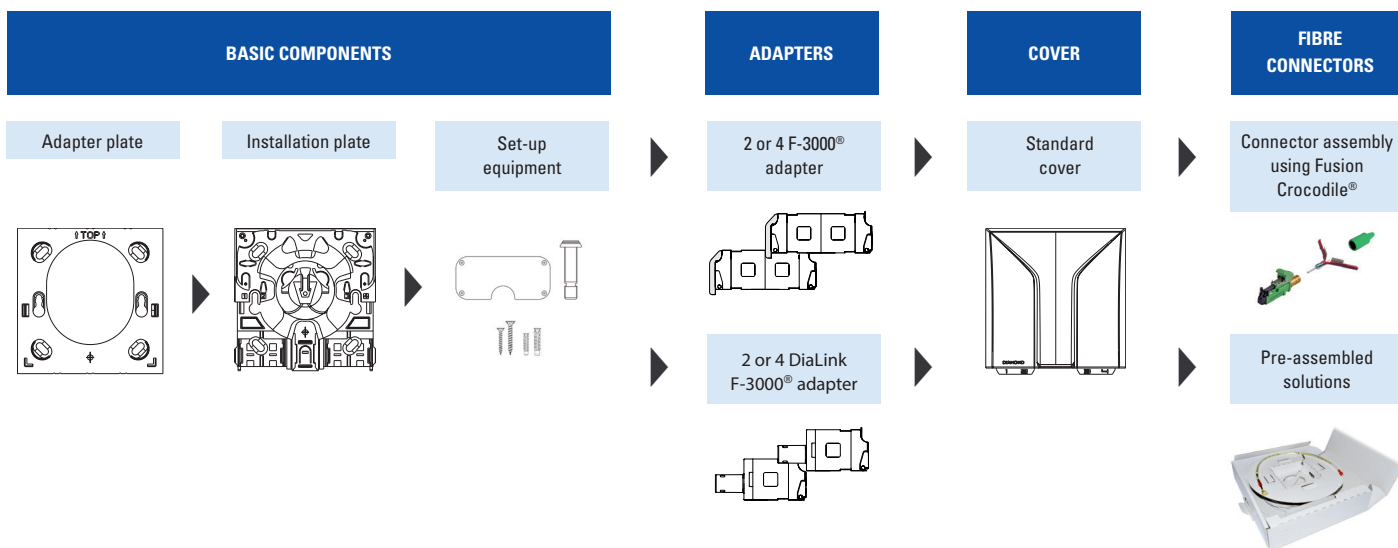


DIAMOND SA | Via dei Patrizi 5 | CH-6616 Losone - Switzerland
Tel. +41 58 307 45 45 | e-mail info@diamond-fo.com

www.diamond-fo.com

Specifications subject to change without notice

BDD 1951972 02_22



FIBRE CONNECTORS IN DiaOTO OUTLET

Connector fitted to cable on site using Fusion Crocodile®

4-core FTTH optic cable

Fusion connector set

Splicer: Fitel S179 or Zeus D50



DiaOTO outlet set up using pre-assembled four-core cable

DiaLink FTTH cable

Connector pull-in protection

Cable end to be spliced



- ▶ Pre-assembled 2 or 4-core cable
- ▶ Diameter of installation tube: 8mm
- ▶ Cable available in lengths from 5 to 120 metres, or to requirements

DiaOTO outlet set up using pre-assembled cable direct to DiaOTO

FTTH Box pre-assembled

Outlet set-up

Cable end to be spliced

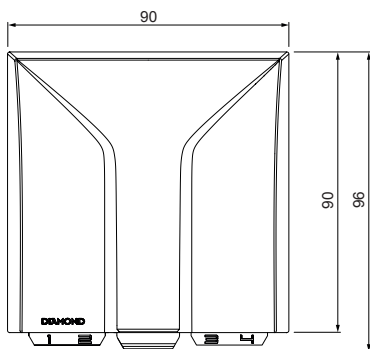


- ▶ Pre-assembled 2 or 4-core cable
- ▶ Cable available in lengths from 5 to 120 metres, or to requirements

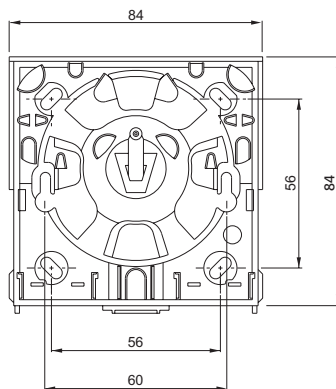
See separate data sheets for further information

Dimensions

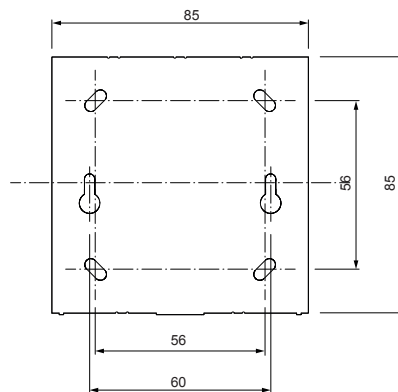
Front cover



Installation plate

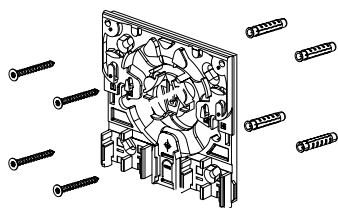


Adapter plate

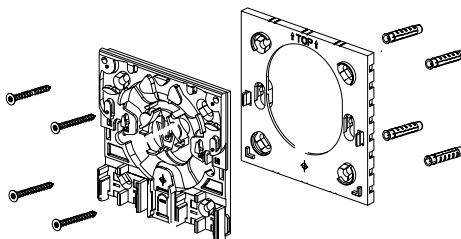


DiaOTO assembly

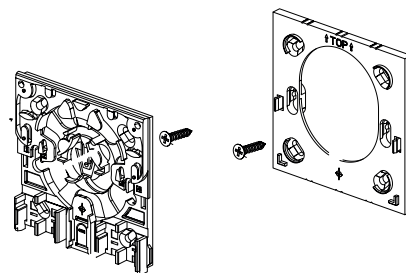
Rear cable inlets



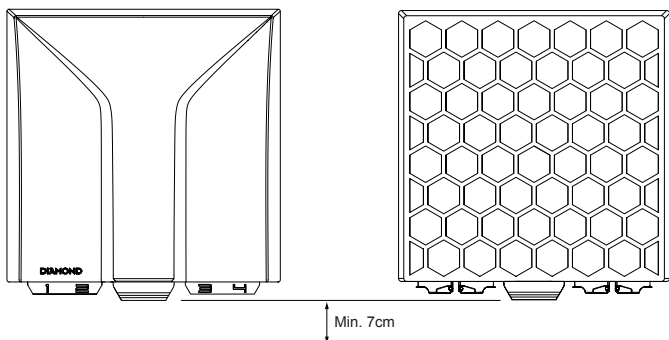
Lateral cable inlets



Using perforated plate



Minimum distance from ground

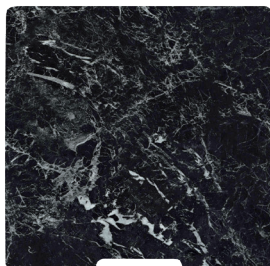


Customised DiaOTO front cover

Special cover



Customised cap on special cover



Dimensions of customised cover

