

# DIAMOND

## Fiber Optic Components

**ST Alberino**

SINGLE MODE PC  
MULTIMODE PC

### CABLE ASSEMBLIES AND ADAPTERS

#### SPECIFICATIONS

STANDARD	MULTIMODE 0° PC	SINGLE MODE 0° PC	UNITS	TEST CONDITIONS
Insertion Loss (IL)	typ. 0.15 max. 0.4	typ. 0.2 max. 0.4	dB	IEC 61300-3-4; $\lambda = 1300/1550\text{nm}$
Return Loss (RL)	min. 35 typ. 40	min. 45 typ. 50	dB	IEC 61300-3-6; $\lambda = 1300/1550\text{nm}$
Repeatability of IL	max $\pm 0.1$		dB	IEC 61300-2-2; $\lambda = 1300/1550\text{nm}$
Service life	1000 mate/demate cycles			According to field experience
Operating temperature	-40/+85*		°C	
Storage temperature	-40/+90*		°C	
Strain relief (cable)	>100		N	

\* May be further limited by cable specifications.

#### APPLICATIONS

- ▶ Telecommunications, CATV, LAN, MAN, WAN, Test & Measurement, Industry, Medical, Sensors

#### STANDARDS

- ▶ IEC 61 754-2 "Fiber optic connector interfaces - Type - BFOC/2.5 connector family"

#### DESIGN/MATERIALS

- Ferrule:  $\varnothing 2.5$  mm, spring loaded (10 N), anti-rotation keyed
- Adaptor: Floating zirconia split sleeve in metal or plastic housing

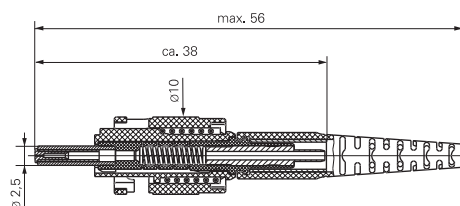
#### AVAILABLE AS

- ▶ Terminated connector
- ▶ Connector set, (to be terminated with Diamond special equipments)

#### CONNECTOR TYPES AND DIMENSIONS

ST Alberino connectors 900  $\mu\text{m}$  - 3 mm boot style

- Available types: **ST Alberino PC**
- Ferrule material: Zirconia/metal insert
- External parts: Plastic black



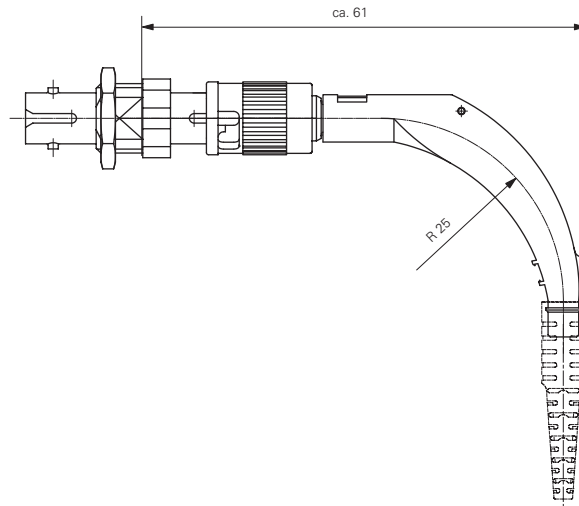
DIAMOND SA | Via dei Patrizi 5 | CH-6616 Losone - Switzerland  
Tel. +41 58 307 45 45 | e-mail info@diamond-fo.com

[www.diamond-fo.com](http://www.diamond-fo.com)

Specifications subject to change  
without notice

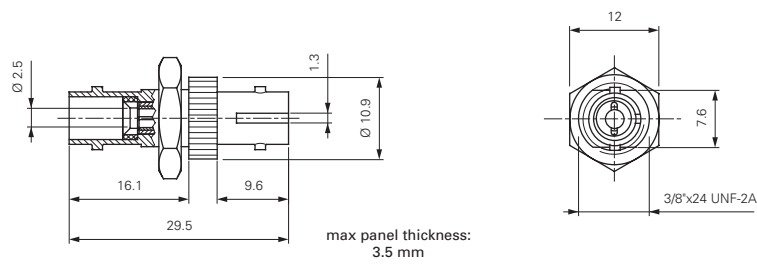
BDD 1950147 07\_19

ST Alberino connectors 900 µm - 3 mm 90° boot style

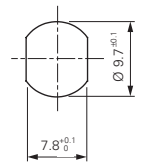


ADAPTER TYPES AND DIMENSIONS

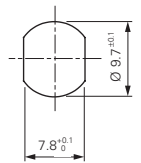
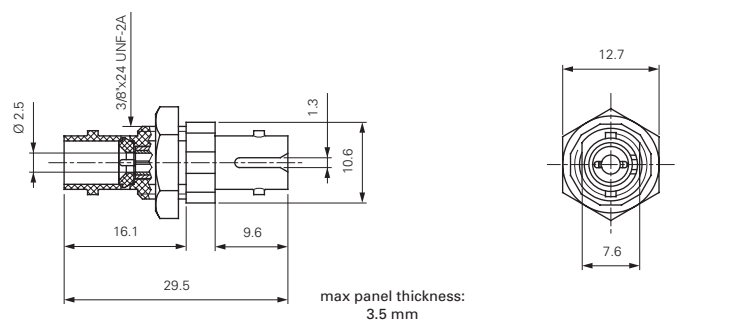
ST Metal mating adapter



CUTOUT DIMENSIONS



ST Plastic mating adapter



**NOTE** Diamond's standard **boot** colors are as follows: Black for MM PC 50µm, Beige for MM PC 62.5µm, Blue for SM PC. Other colors are available upon request.

ORDER INFORMATION

Please refer to the part numbers provided in the separate P/N list.

For other configurations, please contact your nearest local Diamond representative or fill in the contact form available on the [www.diamond-fo.com](http://www.diamond-fo.com) website.

Other versions available upon request