

DIAMOND

Fiber Optic Components

ST Standard

SINGLE MODE PC
MULTIMODE PC

CABLE ASSEMBLIES AND ADAPTERS

SPECIFICATIONS

	MULTIMODE 0° PC	SINGLE MODE 0° PC	UNITS	TEST CONDITIONS
Insertion Loss (IL)	typ. 0.15 max. 0.5	typ. 0.2 max. 0.4	dB	IEC 61300-3-4; $\lambda = 1300/1550\text{nm}$
Return Loss (RL)	50	typ. 40	dB	IEC 61300-3-6; $\lambda = 1300/1550\text{nm}$
Repeatability of IL	max ± 0.1		dB	IEC 61300-2-2; $\lambda = 1300/1550\text{nm}$
Service life	500 mate/demate cycles			
Operating temperature	-40/+85*		°C	
Storage temperature	-40/+90*		°C	

* May be further limited by cable specifications.

APPLICATIONS

- ▶ Telecommunications, CATV, LAN, MAN, WAN, Test & Measurement, Industry, Medical

STANDARDS

- ▶ IEC 61 754-2 "Fiber optic connector interfaces - Type - BFOC/2.5 connector family"
- ▶ CECC 86 120 "Selectional specification - connector sets for optical fibers and cables - Type - BFOC/2.5"

DESIGN/MATERIALS

- Ferrule: $\varnothing 2.5$ mm, spring loaded (10 N), antirotation keyed
- Adapter: Floating zirconia split sleeve in Ni-plated Zamak housing with bayonet locking mechanism

AVAILABLE AS

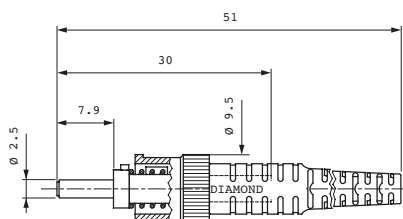
- ▶ Terminated connector
- ▶ Connector set, (to be terminated with Diamond special equipments)

CONNECTOR TYPES AND DIMENSIONS

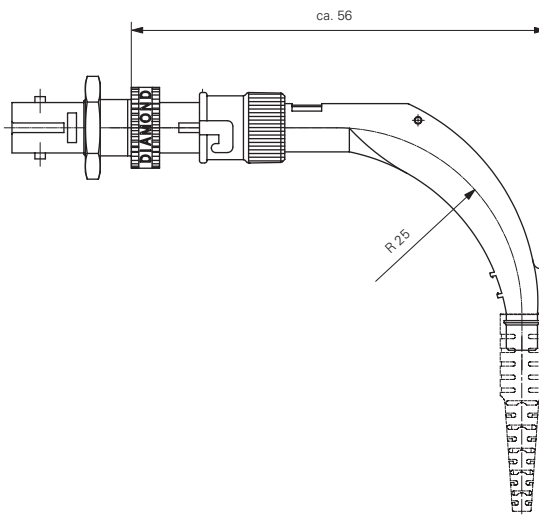
ST Standard connectors 900 μm - 3 mm boot style

Available types: **ST Standard PC**

Ferrule material: Zirconia/metal insert
External parts: Ni-plated Zamak/Ni-plated brass



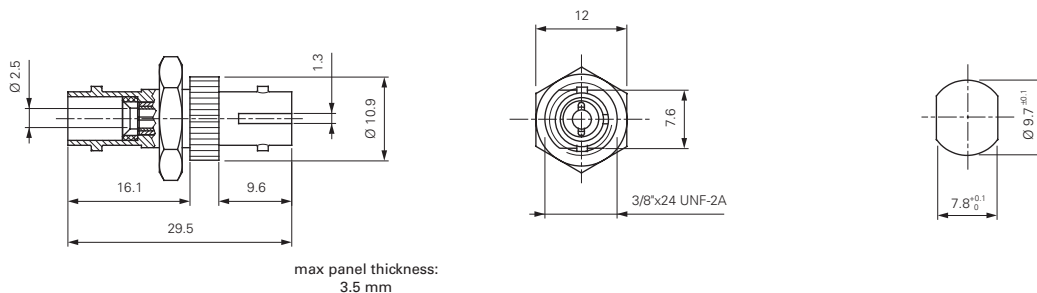
ST Standard connectors 900 μm - 3 mm 90° boot style



ADAPTER TYPE AND DIMENSIONS

ST Metal mating adapter

CUTOUT DIMENSIONS



NOTE Diamond's standard **boot** colors are as follows: Black for MM PC 50um, Beige for MM PC 62.5um, Blue for SM PC. Other colors are available upon request.

ORDER INFORMATION

Please refer to the part numbers provided in the separate P/N list. For other configurations, please contact your nearest local Diamond representative or fill in the contact form available on the www.diamond-fo.com website.

Other versions available upon request